

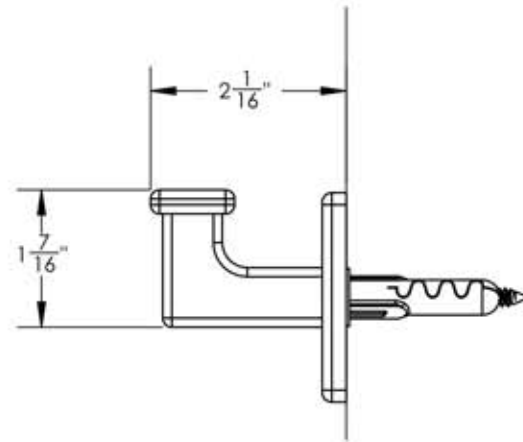
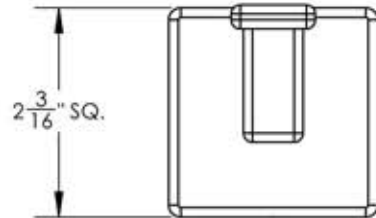
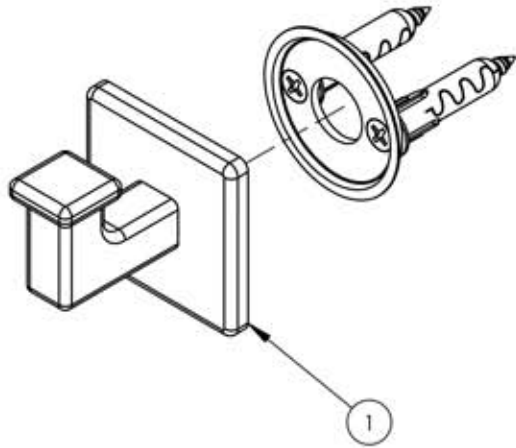
A

B

C

D

E



ITEM NO.	PART NUMBER	DESCRIPTION	QTY.
1	3-115/00	ASSY. GARMENT HOOK MIX	1
	10936/00	ESCUTCHEON, ACCESSORIES MIX SERIES	1
	92005	SET SCREW, CUP PT 6-32UNC THREAD 3/16\"/>	
	2-100/00	ROBE HOOK, 290 MIX SERIES	1
	10992/00	POST. GARMENT HOOK 290 MIX SERIES	1
	10993/00	FINIAL END, GARMENT HOOK 290 MIX SERIES	1
	92033	SCREW, PHILLIPS PAN HD #8-32 x 7/8\"/>	
2	2-098	MOUNTING KIT FOR MIX/EDGE SERIES	1
	30042	WALL MOUNTING PLATE	1
	92043	SCREW, FLAT HD #10 SIZE W/ #2 PHIL DRIVE, 2\"/>	
	92046	ANCHOR SCREW 3/8\"/>	

ZONE	REV.	DESCRIPTION	DATE	APPROVED	
REVISIONS					
1261 LOGAN AVENUE COSTA MESA, CALIFORNIA 92626 PHONE: 714.361.4800 FAX: 714.617.3120		PHYLORICH® Defining Luxury Since 1959	PROPRIETARY AND CONFIDENTIAL THE INFORMATION CONTAINED IN THIS DRAWING IS THE SOLE PROPERTY OF RISS MANUFACTURING. ANY REPRODUCTION IN PART OR AS A WHOLE WITHOUT THE WRITTEN PERMISSION OF RISS MANUFACTURING IS PROHIBITED.		

NEXT ASSY		USED ON		INTERPRET GEOMETRIC DIMENSIONING & TOLERANCING IN ACCORDANCE WITH ASME Y14.5-2009 & ASME Y14.41-2003 STANDARDS. UNLESS OTHERWISE SPECIFIED, DIMENSIONS ARE IN INCHES. TOLERANCES ARE:			ROBE HOOK, MIX SERIES		
MATERIAL		APPLICATION		FRACTIONS ±1/64"	DECIMALS X.X: ±.1 X.XX: ±.01 X.XXX: ±.005	ANGULAR ±.5°	SIZE A	ASM/PRT NO. 290-76/00	REV
FINISH		DRAWN		NAME		DATE	SCALE: 1:2		
DO NOT SCALE DRAWING		CHECKED				5/30/2013	WEIGHT: lbs.		SHEET 1 OF 1

5

4

3

2

1